

# SINKER BAR SPECIFICATIONS

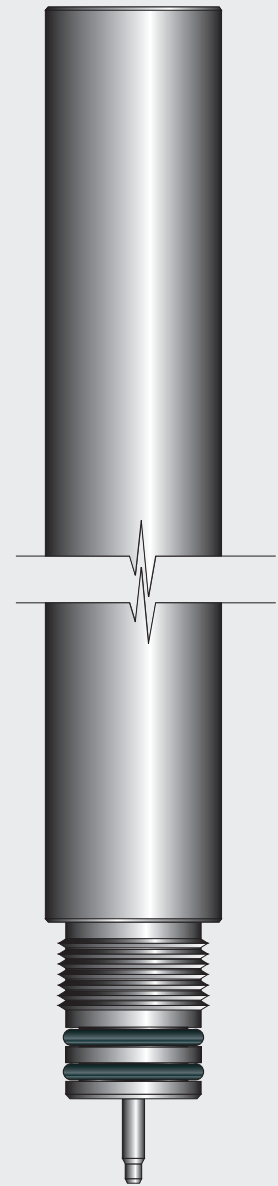


## SINKER BARS

### Sinker Bars

AES sinker bars are manufactured in steel, lead and tungsten.

| Parameters   | Imperial         | Metric                 |
|--------------|------------------|------------------------|
| OD Size:     | 5/8" – 2"        | 15.9 mm - 50.8 mm      |
| Length:      | 3', 5' and 7'    | 0.9 m, 1.5 m and 2.1 m |
| Weight:      | 2.5lbs to 130lbs | 1.1kg to 59kg          |
| Temperature: | 500°F            | 260°C                  |
| Pressure:    | 21,000psi        | 144 MPa                |



APPLIED  
ELECTRONIC  
SYSTEMS

a **Sondex** company

[www.aesla.com](http://www.aesla.com)

# SINKER BAR PRODUCT RANGES

| Part No. | Description | Weight | Page |
|----------|-------------|--------|------|
|----------|-------------|--------|------|

## 5/8" - 11/16" - Non Contact

|          |                                      |               |       |
|----------|--------------------------------------|---------------|-------|
| AS0-0004 | AES 5/8" x 2-1/2 ft. Sinker Bar Assy | 3lbs - 1.3kgs | SB0-4 |
|----------|--------------------------------------|---------------|-------|

NOTE: Thread size on this size range is 1/2" - 20 UNF

## 5/8" - 11/16" - Contact

|          |                                    |               |       |
|----------|------------------------------------|---------------|-------|
| AS0-0013 | AES 5/8" X 3 ft. Sinker Bar Assy   | 3lbs - 1.3kgs | SB0-4 |
| AS1-0013 | AES 11/16" X 3 ft. Sinker Bar Assy | 4lbs - 1.8kgs | SB0-4 |

NOTE: Thread size on this size range is 1/2" - 20 UNF

## 3/4" - Steel Bars

|          |                                 |               |       |
|----------|---------------------------------|---------------|-------|
| AS2-0005 | 3/4" X 5' Steel Sinker Bar Assy | 8lbs - 3.6kgs | SB0-5 |
|----------|---------------------------------|---------------|-------|

NOTE: Thread size on this size range is .555-28 STUB ACME-3G

## 1" - Steel Bars

|          |                         |                |       |
|----------|-------------------------|----------------|-------|
| AS3-0004 | 1" x 5' Sinker Bar Assy | 13lbs - 5.9kgs | SB0-6 |
|----------|-------------------------|----------------|-------|

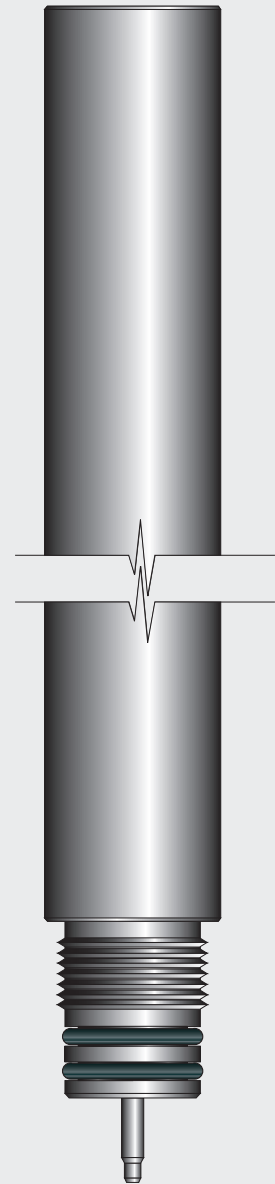
NOTE: Thread size on this size range is 3/16" - 16 UN

## 1" - Tungsten Bars

|          |                                  |                |       |
|----------|----------------------------------|----------------|-------|
| AS3-0016 | 1" x 5' Tungsten Sinker Bar Assy | 13lbs - 5.9kgs | SB0-6 |
| AS3-0017 | 1" x 7' Tungsten Sinker Bar Assy | 13lbs - 5.9kgs | SB0-6 |

NOTE: Thread size on this size range is 3/16" - 16 UN

Continued Next Page



APPLIED  
ELECTRONIC  
SYSTEMS

a **Sondex** company

[www.aesla.com](http://www.aesla.com)

# SINKER BAR PRODUCT RANGES

| Part No. | Description | Weight | Page |
|----------|-------------|--------|------|
|----------|-------------|--------|------|

## 1-3/8" - 2" - Steel Bars

|          |                                     |                    |       |
|----------|-------------------------------------|--------------------|-------|
| AS4-0004 | 1 3/8" X 5' Steel Sinker Bar Assy   | 23 lbs - 10.40 kgs | SB0-7 |
| AS5-0016 | 1 7/16" X 5' Steel Sinker Bar Assy  | 23 lbs - 10.40 kgs | SB0-7 |
| AS6-0002 | 1 11/16" X 5' Steel Sinker Bar Assy | 36 lbs - 16.30 kgs | AOR   |
| AS9-0059 | 2" X 5' Steel Sinker Bar Assy       | 51 lbs - 23.13 kgs | AOR   |

NOTE: Thread size on this size range is 1 3/16" - 12 UN

## 1-3/8" - 2" - Tungsten Bars

|              |   |                     |       |
|--------------|---|---------------------|-------|
| AS4-0009     | 1 3/8" X 5' Tungsten Sinker Bar Assy                        | 38 lbs - 17.20 kgs  | SB0-7 |
| AS4-0015     | 1 3/8" X 7' Tungsten Sinker Bar Assy                        | 55 lbs - 25.00 kgs  | SB0-7 |
| AS5-0004     | 1 7/16" X 5' Tungsten Sinker Bar Assy                       | 42 lbs - 19.00 kgs  | SB0-7 |
| AS5-0005     | 1 7/16" X 7' Tungsten Sinker Bar Assy                       | 57 lbs - 25.90 kgs  | SB0-7 |
| AS6-0003-1   | 1 11/16" X 3' Tungsten Sinker Bar Assy                      | 35 lbs - 15.90 kgs  | SB0-7 |
| AS6-0003     | 1 11/16" X 5' Tungsten Sinker Bar Assy                      | 60 lbs - 27.20 kgs  | SB0-7 |
| AS6-0004     | 1 11/16" X 7' Tungsten Sinker Bar Assy                      | 85 lbs - 38.50 kgs  | SB0-7 |
| AS9-0001     | 2" X 5' Tungsten Sinker Bar Assy                            | 93 lbs - 42.10 kgs  | SB0-7 |
| AS9-0002     | 2" X 7' Tungsten Sinker Bar Assy                            | 130 lbs - 59.00 kgs | SB0-7 |
| AS5-0004SR*  | 1 7/16" X 5' Tungsten Sinker Bar Assy -<br>5/8" Sucker Rod  | 42 lbs - 19.00 kgs  | AOR   |
| AS6-0003SR*  | 1 11/16" X 5' Tungsten Sinker Bar Assy -<br>5/8" Sucker Rod | 57 lbs - 25.90 kgs  | AOR   |
| AS6-0050 OTL | 1 11/16" X 5' Tungsten Over The Line<br>Sinker Bar          | 61 lbs - 27.67 kgs  | AOR   |
| AS6-0051 OTL | 1 11/16" X 7' Tungsten Over The Line<br>Sinker Bar          | 86 lbs - 39.00 kgs  | AOR   |
| AS9-0035 OTL | 2" X 5' Tungsten Over the line<br>Sinker Bar                | 94 lbs - 42.63 kgs  | AOR   |

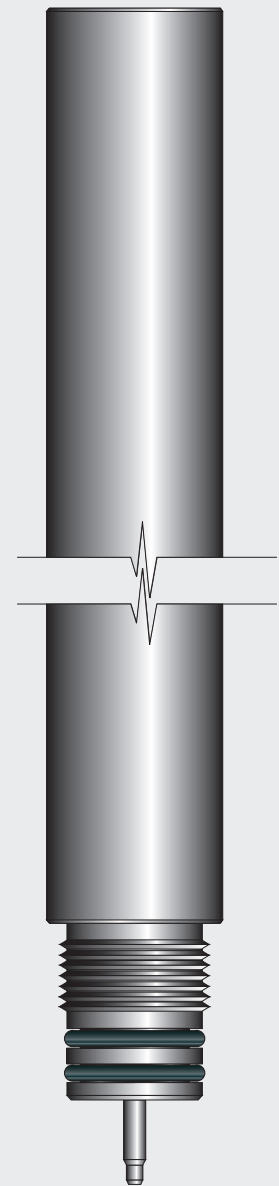
NOTE: Thread size on this size range is 1 3/16" - 12 UN

\*Sucker Rod Connections

## 1-3/8" - 2" - Lead Bars

|          |                                    |                    |       |
|----------|------------------------------------|--------------------|-------|
| AS4-0099 | 1 3/8" X 7' Lead Sinker Bar Assy   | 42 lbs - 19.00 kgs | AOR   |
| AS5-0020 | 1 7/16" X 3' Lead Sinker Bar Assy  | 19 lbs - 8.60 kgs  | SB0-7 |
| AS5-0021 | 1 7/16" X 5' Lead Sinker Bar Assy  | 32 lbs - 14.50 kgs | SB0-7 |
| AS5-0022 | 1 7/16" X 7' Lead Sinker Bar Assy  | 45 lbs - 20.40 kgs | SB0-7 |
| AS6-0032 | 1 11/16" X 3' Lead Sinker Bar Assy | 26 lbs - 11.80 kgs | SB0-7 |
| AS6-0033 | 1 11/16" X 5' Lead Sinker Bar Assy | 45 lbs - 20.40 kgs | SB0-7 |
| AS6-0034 | 1 11/16" X 7' Lead Sinker Bar Assy | 63 lbs - 28.60 kgs | SB0-7 |
| AS9-0022 | 2" X 3' Lead Sinker Bar Assy       | 38 lbs - 17.20 kgs | SB0-7 |
| AS9-0023 | 2" X 5' Lead Sinker Bar Assy       | 66 lbs - 29.90 kgs | SB0-7 |
| AS9-0024 | 2" X 7' Lead Sinker Bar Assy       | 94 lbs - 42.60 kgs | SB0-7 |

NOTE: Thread size on this size range is 1 3/16" - 12 UN



APPLIED  
ELECTRONIC  
SYSTEMS

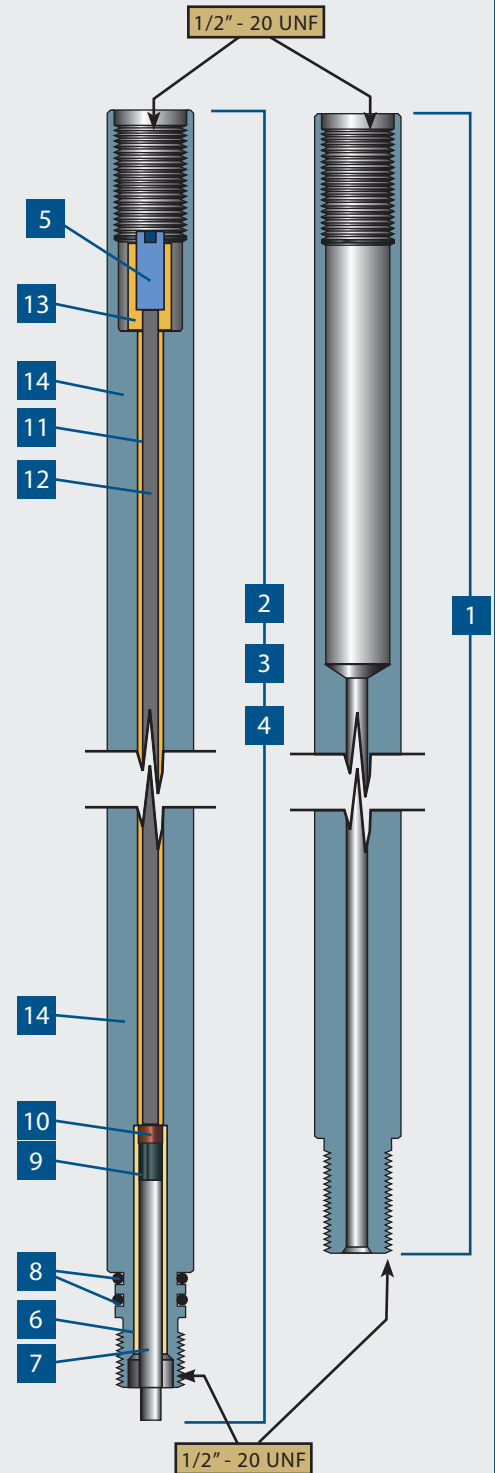
a **Sondex** company

[www.aesla.com](http://www.aesla.com)

# SINKER BAR COMPONENTS

## 5/8" - 11/16" Sinker Bars

| Ref. | Part No.   | Description                       |
|------|------------|-----------------------------------|
| 1    | ASO-0004   | 5/8" x 2-1/2' Assy                |
| 2    | ASO-0013   | 5/8" x 3' Assy                    |
| 3    | AS1-0013   | 11/16" x 3' Assy                  |
| 4    | Kit-0-0013 | Complete Kit Assy                 |
| 5    | 0.687-0012 | 4-40 Contact Receptacle           |
| 6    | B00-0032   | Insulating Sleeve                 |
| 7    | CON-0011   | Spring Loaded Contact             |
| 8    | 000-0012   | O-Rings: 012                      |
| 9    | 0.687-0031 | Crossover Contact                 |
| 10   | 0.687-0002 | Insulating Washer                 |
| 11   | Boo-0102   | Insulating Sleeve                 |
| 12   | 0.625-0062 | 4-40 Contact Rod - 33 7/8" LG.    |
| 13   | 0.687-0003 | Contact Insulator                 |
| 14   | 0.625-0046 | 3 ft. Sinker Bar Body (5/8" OD)   |
|      | 0.687-0084 | 3 ft. Sinker Bar Body (11/16" OD) |



APPLIED  
ELECTRONIC  
SYSTEMS

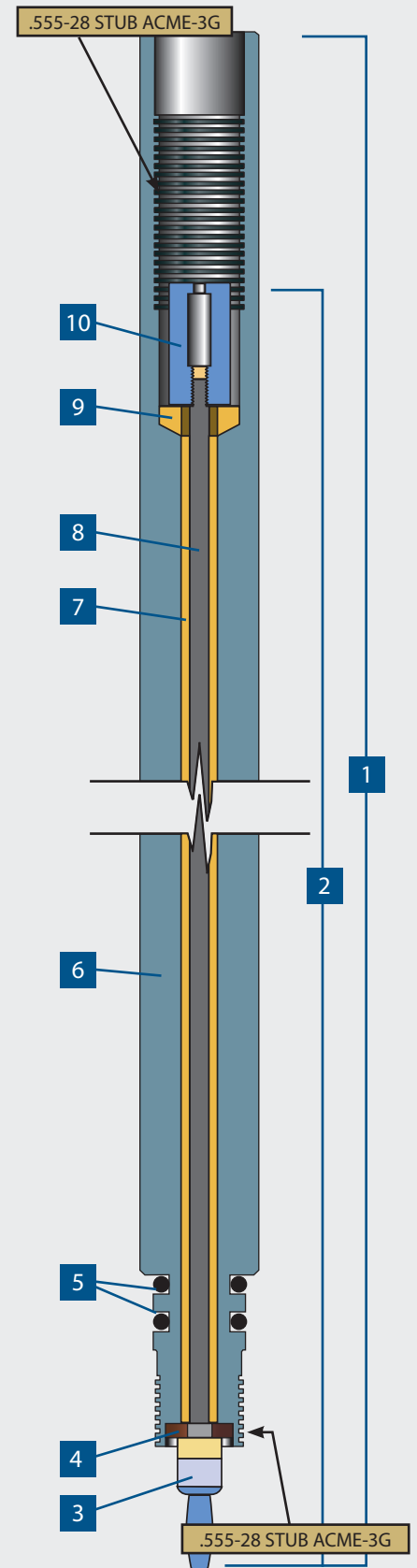
a **Sondex** company

[www.aesla.com](http://www.aesla.com)

# SINKER BAR COMPONENTS

## 3/4" Sinker Bars

| Ref. | Part No.   | Description                       |
|------|------------|-----------------------------------|
| 1    | AS2-0005   | 3/4" x 5' Sinker Bar Assy (Steel) |
| 2    | KIT-2-0005 | Complete Kit Assy*                |
| 3    | CON-0004   | 6-32 Banana Plug                  |
| 4    | 0.437-0001 | Insulating Washer                 |
| 5    | 000-0110   | O-Rings: 110                      |
| 6    | 0.750-0030 | 3/4" Sinker Bar Body              |
| 7    | B00-101    | Insulating Sleeve                 |
| 8    | 0.750-0010 | 6-32 Contact Rod                  |
| 9    | 0.500-0004 | Beveled Insulating Washer         |
| 10   | 1.-0031    | 6-32 Contact Receptacle           |
| 11   | 0.750-0092 | 3/4" GO Box Protector             |
| 12   | 0.750-0091 | 3/4" GO Pin Protector             |



APPLIED  
ELECTRONIC  
SYSTEMS

a **Sondex** company

[www.aesla.com](http://www.aesla.com)

SB0-5

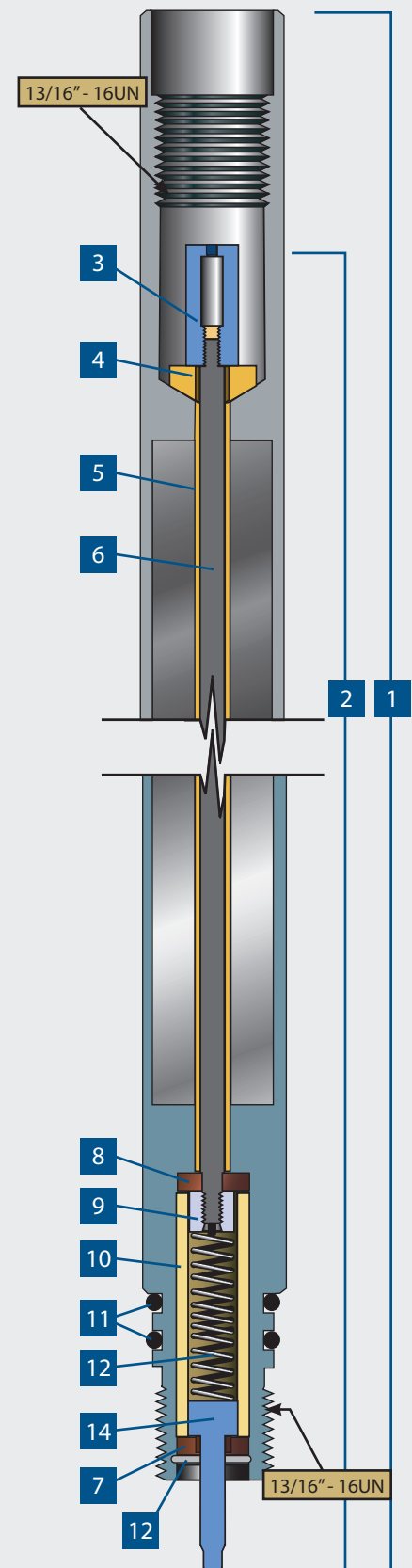
# SINKER BAR COMPONENTS

## 1" Sinker Bars

| Ref. | Part No.   | Description                                  |
|------|------------|--|
| 1    | AS3-0004   | 1" x 5' Sinker Bar Assy                      |
|      | 1.0065     | 1" x 5' Sinker Bar Body                      |
|      | AS3-0016   | 1" x 5' Tungsten Sinker Bar Assy             |
|      | AS3-0017   | 1" x 7' Tungsten Sinker Bar Assy             |
| 2    | KIT-30004  | Complete Kit Assy* (5' Steel Plunger)        |
|      | KIT-30004B | Complete Kit Assy* (5' Steel/Banana Plug)    |
|      | KIT-30016  | Complete Kit Assy* (5' Tungsten Plunger)     |
|      | KIT-30016B | Complete Kit Assy* (5' Tungsten/Banana Plug) |
|      | KIT-30017  | Complete Kit Assy* (7' Tungsten Plunger)     |
|      | KIT-30017B | Complete Kit Assy* (7' Tungsten/Banana Plug) |
| 3    | 1.0087B    | 10-32 Contact Receptacle                     |
| 4    | 1.0086     | Beveled Insulating Washer                    |
| 5    | BOO-0032   | Insulating Sleeve                            |
| 6    | 1.0221     | 10-32 Contact Rod (5' Steel Plunger)         |
|      | 1.0221B    | 10-32 Contact Rod (5' Steel/Banana Plug)     |
|      | 1.0221     | 10-32 Contact Rod (5' Tungsten Plunger)      |
|      | 1.0222     | 10-32 Contact Rod (5' Tungsten/Banana Plug)  |
|      | 1.0221B    | 10-32 Contact Rod (7' Tungsten Plunger)      |
|      | 1.0222B    | 10-32 Contact Rod (7' Tungsten/Banana Plug)  |
| 7    | 1.0041     | Insulating Washer                            |
| 8    | 1.3750081  | 10-32 Spacer Contact                         |
| 9    | 1.0042     | Contact Insulator                            |
| 10   | 000-0115   | C-67 O-Ring: 115                             |
| 11   | 1.0037     | Contact Spring                               |
| 12   | HOO-0065   | Retainer Ring                                |
| 13   | 1.0033     | Contact Plunger                              |

\*Does not include O-Rings.

\*\*Specify length when ordering.



APPLIED  
ELECTRONIC  
SYSTEMS

a **Sondex** company

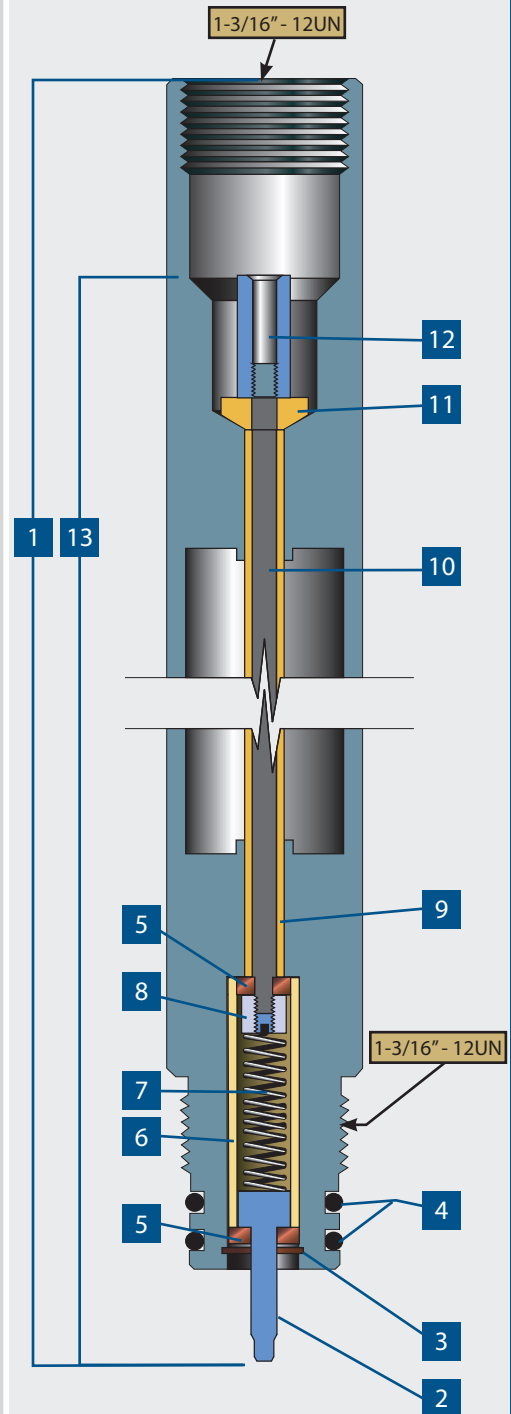
[www.aesla.com](http://www.aesla.com)

SB0-6

# SINKER BAR COMPONENTS

## 1-3/8" - 2" Sinker Bars

| Ref.     | Part No.                     | Description                                    |
|----------|------------------------------|--|
| 1        | AS4-0004                     | 1 3/8" X 5' Steel Sinker Bar Assy              |
|          | AS5-0016                     | 1 7/16" X 5' Steel Sinker Bar Assy             |
|          | AS6-0002                     | 1 11/16" X 5' Steel Sinker Bar Assy            |
|          | AS4-0009                     | 1 3/8" X 5' Tungsten Sinker Bar Assy           |
|          | AS4-0015                     | 1 3/8" X 7' Tungsten Sinker Bar Assy           |
|          | AS5-0004                     | 1 7/16" X 5' Tungsten Sinker Bar Assy          |
|          | AS5-0005                     | 1 7/16" X 7' Tungsten Sinker Bar Assy          |
|          | AS6-0003-1                   | 1 11/16" X 3' Tungsten Sinker Bar Assy         |
|          | AS6-0003                     | 1 11/16" X 5' Tungsten Sinker Bar Assy         |
|          | AS6-0004                     | 1 11/16" X 7' Tungsten Sinker Bar Assy         |
|          | AS9-0001                     | 2" X 5' Tungsten Sinker Bar Assy               |
|          | AS9-0002                     | 2" X 7' Tungsten Sinker Bar Assy               |
|          | AS5-0020                     | 1 7/16" X 3' Lead Sinker Bar Assy              |
|          | AS5-0021                     | 1 7/16" X 5' Lead Sinker Bar Assy              |
|          | AS5-0022                     | 1 7/16" X 7' Lead Sinker Bar Assy              |
|          | AS6-0032                     | 1 11/16" X 3' Lead Sinker Bar Assy             |
|          | AS6-0033                     | 1 11/16" X 5' Lead Sinker Bar Assy             |
|          | AS6-0034                     | 1 11/16" X 7' Lead Sinker Bar Assy             |
|          | AS9-0022                     | 2" X 3' Lead Sinker Bar Assy                   |
|          | AS9-0023                     | 2" X 5' Lead Sinker Bar Assy                   |
| AS9-0024 | 2" X 7' Lead Sinker Bar Assy |  |
| 2        | 1.0033                       | Contact Plunger                                |
| 3        | HOO-0065                     | Retainer Ring                                  |
| 4        | OOO-0211                     | C-67 211 O-Ring                                |
| 5        | 1.0041                       | Insulating Washer                              |
| 6        | 1.0042                       | Contact Insulator                              |
| 7        | 1.0037                       | Contact Spring                                 |
| 8        | 1.375-0081                   | Contact Nut                                    |
| 9        | BOO-0032                     | Insulating Sleeve                              |
| 10       | 1.375-0393                   | Contact Thru Rod For 3' Bars (Plunger Contact) |
|          | 1.375-0296                   | Contact Thru Rod For 5' BARS (Plunger Contact) |
|          | 1.375-0184                   | Contact Thru Rod For 7' BARS (Plunger Contact) |
| 11       | 1.0086                       | Insulating Bevel Washer                        |
| 12       | 1.0087A                      | Contact Receptacle                             |
| 13       | KIT-6-0032                   | All 3' Bars Listed Above (Plunger Contact)     |
|          | KIT-4-0004                   | All 5' Bars Listed Above (Plunger Contact)     |
|          | KIT-4-0015                   | All 7' Bars Listed Above (Plunger Contact)     |



APPLIED  
ELECTRONIC  
SYSTEMS

a **Sondex** company

[www.aesla.com](http://www.aesla.com)